

BROCHURE



TELESPAR[®] SIGN SUPPORT SYSTEMS

Telespar[®] Qwik-Punch[®] Anchoring Accessories

Division of Dakota Fence



Fargo • 800-726-4064 • (701) 293-8599
Bismarck • 800-726-4062 • (701) 223-0828
Minot • 800-726-4063 • (701) 839-6557
E-mail: sales@dakotafence.com
Website: www.dakotafence.com

A PART OF



Telespar[®]

Sign Support Systems

The Telespar System

The Telespar system is available with three types of posts: galvanized steel tubing with perforated holes on all four sides, Qwik-Punch[®] posts, which are made with 7/16" knockouts, 1' on the center on all four sides and the round sign system with socket and wedge. The tubing is produced through a unique manufacturing process that permits tubular sections of different sizes to telescope into the next larger size. It is complemented by a variety of compatible fittings accessories, nuts, bolts and simple installation tools.

The engineered system of integrated parts enables you to mount signs back-to-back and on adjacent sides. It is designed to make adjustment, reinforcement and splicing fast and easy. By utilizing a square tube, Telespar exhibits superior wind load capabilities and torsional stability.

Telespar is primarily designed for signpost usage but is adaptable for identification signage, parking meter posts, barricades and numerous other applications.



The Original Telescoping Sign Support System

The Telespar Advantage

Secure Signage

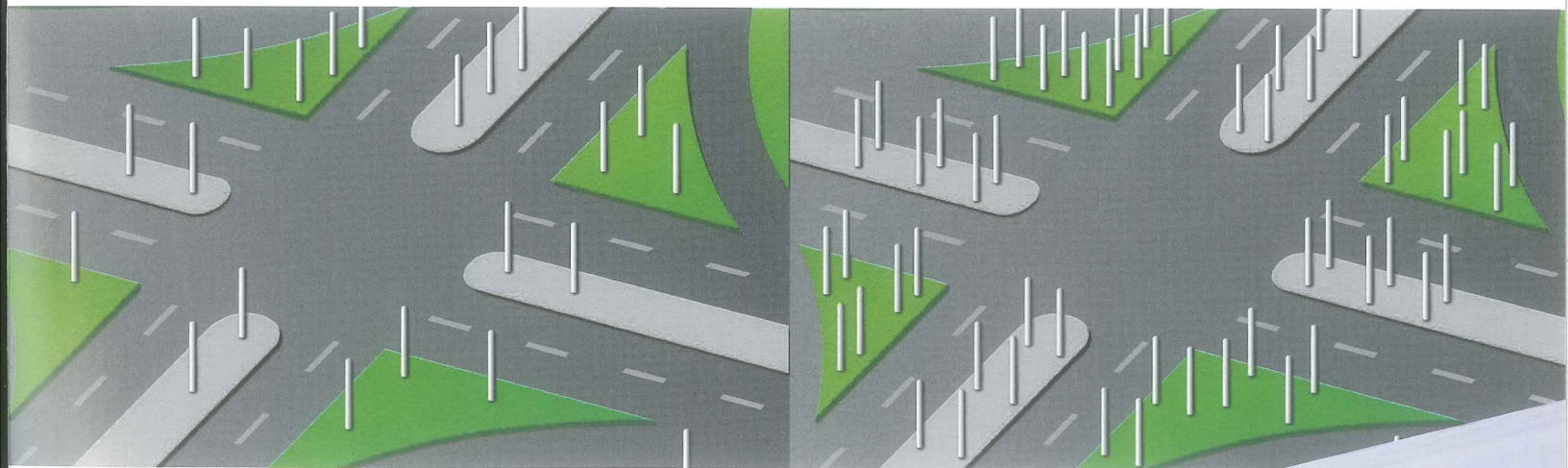
Using Allied Tube & Conduit®'s recommended installation method, street signs are securely fastened to posts with rivets providing greater torsional and windload stability. Signs mounted via this method are more securely fastened and cannot easily be removed or loosened from their posts due to severe weather conditions. This differs from the bracket system commonly used with U-channel and standard post systems. These systems utilize small set screws that can be damaged or vandalized easily making replacement necessary.

Easy Installation, Rapid Replacement

Telespar signposts are installed easily by using either a direct embedded method or breakaway anchor system. Installation can be performed by one-man at ground level eliminating the need for bucket trucks and similar heavy equipment. Replacement is just as easy, having minimal tool requirements.

Safety

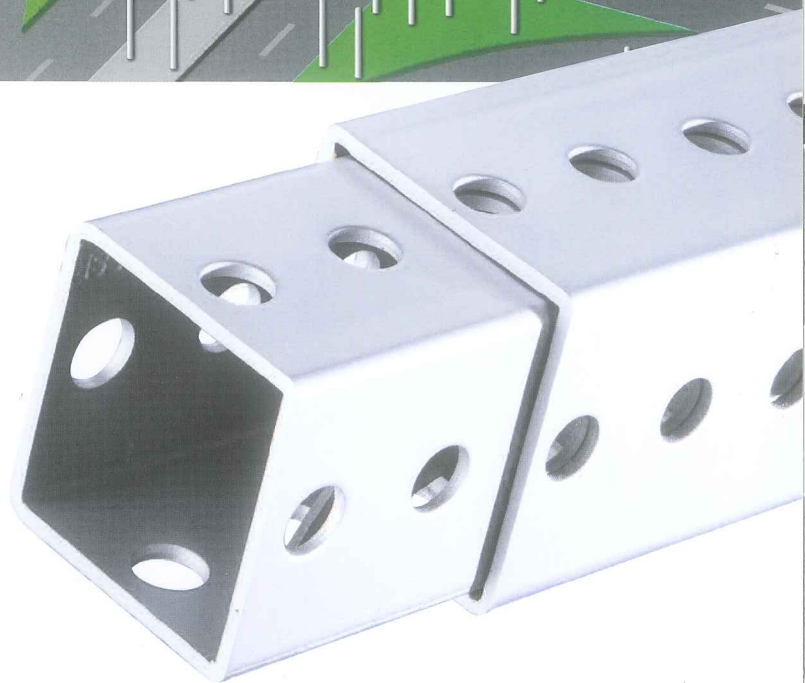
The Telespar System was the first to be used effectively in a yielding breakaway concept for small sign-support systems. They are FHWA approved and in compliance with AASHTO specifications.



Art from actual INDOT (Indiana Department of Transportation) installation.

Reduced materials needed per installation

Using Telespar drastically cuts your material costs. Its greater strength and superior stability allows you to use single post installations, instead of U-Channel's double post, cutting your material needs in half!



Three Types of Posts to Meet Your Needs

One of the keys to the Telespar signpost system's versatility and ease of installation is its three convenient methods for mounting signage.

Round Sign System

The Telespar round sign system with socket and wedge provides superior corrosion resistance and strength benefits, demonstrating 50ksi yield strength resulting from Allied Tube & Conduit's signature in-line galvanizing process. This highly durable product enables you to reduce replacement and repair costs caused by standard wear and tear.

Posts with Pre-Punched Holes

Telespar square posts with 7/16" prepunched holes on 1" centers are corner welded to allow smooth telescoping action.

Posts with Knockouts

Qwik-Punch posts are made with 7/16" knockouts, 1" on the center, on all four sides. This feature allows workers in the field to quickly punch holes exactly where they are needed leaving the balance of the post with a smooth unbroken appearance. These posts offer the same telescoping action and easy installation as standard Telespar posts.



Superior corrosion resistance through Allied Tube & Conduit's in-line galvanizing process

Available with pre-punched holes

Easy to re-use

Difficult to vandalize

Socket and wedge system for ease of installation

Round Sign System Specification

ELEMENTS OF SECTION	O.D./Gauge	Wall Thickness(inches)	Weight(Lbs./Foot)
	2.375" x 10	0.134	3.2101
	2.375" x 12	0.109	2.6404
	2.375" x 13	0.095	2.3155
	2.375" x 14	0.083	2.0336
	2.375" x 16	0.065	1.6051
	2.875" x 12*	0.109	3.1444

* Used for Anchors

Stocked in 10' and 12' lengths. Other lengths available upon request.

Corner welded for smooth telescoping action

Square shape allows signs to be mounted on all four sides

Square tubing for greater wind load capabilities and torsional stability

Galvanized steel tubing for superior corrosion resistance

Easily adjustable via telescoping

Note: Steel conforms to ASTM A1011 Grade 50; Galvanizing meets ASTM A-653

7/16" Pre-punched holes

Signs mount with drive rivets for easy installation and tamper resistance

Smooth unbroken appearance

Inline zinc coating complies with AASHTO M-120

7/16" knockouts on all four sides

FHWA approved breakaway installation

Square Sign System Specification

Tube Size Inches	Wall Thickness U.S. Std. Gauge & Inch	Area Sq. In.	Wt./Ft. Lbs.	I In. ⁴	S In. ³	r In.
1 3/4 x 1 3/4	14 (0.083)	0.392	1.71	0.201	0.230	0.716
2 x 2	14 (0.083)	0.474	1.99	0.296	0.296	0.790
1 1/2 x 1 1/2	12 (0.105)	0.380	1.70	0.129	0.172	0.582
1 3/4 x 1 3/4	12 (0.105)	0.485	2.06	0.231	0.264	0.690
2 x 2	12 (0.105)	0.590	2.42	0.372	0.372	0.794
2 1/4 x 2 1/4	12 (0.105)	0.695	2.77	0.561	0.499	0.898
2 1/2 x 2 1/2	12 (0.105)	0.803	3.14	0.804	0.643	1.001
2 3/16 x 2 3/16	10 (0.135)	0.841	3.43	0.605	0.553	0.848
2 1/2 x 2 1/2	10 (0.135)	1.010	4.01	0.979	0.783	0.985
1 3/4 x 1 3/4 QP	14 (0.083)	0.392	1.88	0.201	0.230	0.716
2 x 2 QP	14 (0.083)	0.474	2.16	0.296	0.296	0.790

I = Moment of Inertia

s = Section Modulus

r = Radius of Gyration

Telespar® Type III Barricade

Safety and Convenience in One Simple Package

Requirement: High-strength yet safe temporary barricade.

Fulfillment: Telespar Type III Barricade

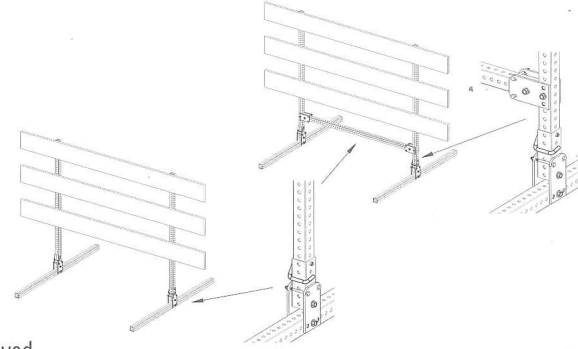
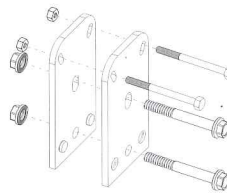
Easy to Use

- Easily stored, transported and installed
- Legs are detachable
- No welding required

Barricade Assembly Guidelines

Required hardware for each connecting point

- TL132-Z Shear Pin Barricade Plate (2ea)
- 3/8-16x3 grade 8 flange bolt and serrated flange nut (2ea)
- 1/4-20x3 grade 2 hex hd shear bolt and hex nut (2ea)



Safety Features

- FHWA/NCHRP 350 approved
- Temporary, yet crashworthy
- Yielding breakaway
- Minimal damage to impacting vehicle
- Reusable after collision

To fulfill your temporary barricade needs, contact the Allied Tube & Conduit Traffic Products Group at 800-882-5543.

Anchoring Options



Installation Guidelines

1. Drive a minimum 30" piece of 12 gauge Telespar (anchor) into the soil until only 1-2 inches are left exposed. For a 2-piece anchor, use an 18" piece of tubing for a sleeve, one size larger than the anchor. It is advisable to drive the anchor and sleeve together making sure the holes are aligned.
2. Attach the sign to the post at the desired height using drive rivets or bolts.
3. Insert the signpost, which is one size smaller than the anchor, approximately 6-8 inches into the anchor base.
4. Bolt the signpost to the anchor assembly with a corner bolt.
5. When installing in concrete use a pneumatic hammer or concrete drill to break through the surface, the anchor assembly is driven to within 1" of the surface to allow attachment of the signpost. If flush installation is desired clearance should be recessed on two sides to clear the bolt for signpost connection.
6. To install in asphalt, drive the anchor assembly through the blacktop into the subsoil from ground level. Once the anchor is through the blacktop; use the same instructions as for soil installations.

Anchor Type	Description	Unique Feature
PRIMARY		
Single Breakaway Anchor	Can be used by one man working at ground level using manual or power equipment	Minimum installation time
Two-Piece Breakaway Anchor	Can be created by adding an outer sleeve to the original anchor base. This provides a double wall thickness to create breakaway function.	Yielding breakaway system
SECONDARY		
Heavy Duty Anchor	For use with larger signposts. The heavy wall eliminates the need for a stiffener sleeve enabling the signpost to break on impact.	Works well in concrete and areas of high impact
Stabilization Anchor Sleeve	Attaches to a single anchor with corner bolt then bolted through the post at top of anchor. Should always be attached to the corner farthest from traffic.	For use with soft or drop-off shoulders in loose or sandy soil
Omni-Directional Anchor	Designed specifically for ease of installation in loose soil conditions enabling the post to perform well when impacted.	Easily retrofitted to correct problem installations
Slip Base Breakaway System	For use with larger signs when the post is too strong to perform a normal breakaway function. Allows the unit to slip away without creating an unacceptable impact condition.	One of the most economical replacements in the industry

Note: The Telespar sign support system can be directly embedded manually using a drive cap and sledge, with a pneumatic hammer or by means of self-contained power equipment.

Telespar[®] Temporary Sign Skids

Put Your Construction Project on Easy Street

Nobody likes construction delays, the sooner the job is completed, the better it is for everyone. Telespar temporary sign skids can help you get the job done quicker. This easy to assemble, simple to maneuver system, enables you to set up and reposition your signage quickly, allowing more time for performing the task at hand.

Requirement: High-strength yet safe temporary barricade.

Fulfillment: Telespar Type III Barricade

Easy to Assemble

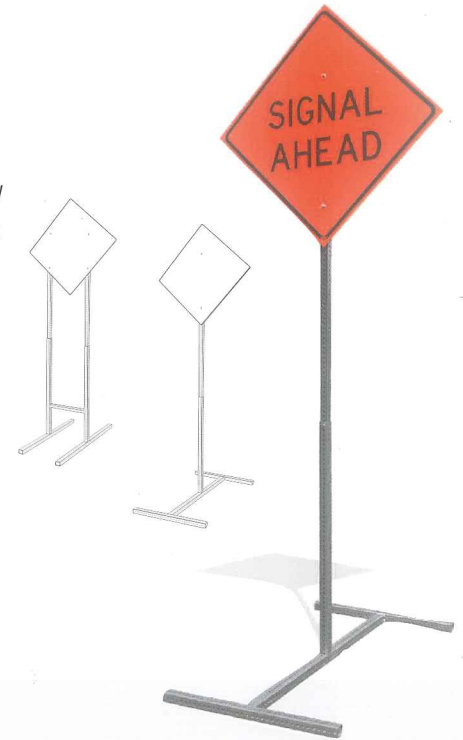
- Pre-assembled kits
- Pre-manufactured components
- Eliminates the need to drive posts into the ground

Safety

- Crashworthy
- FHWA & NCHRP 350 approved

Simple to Maneuver

- Adjustable base
- Telescopic for varied heights
- Detachable leg allows compact stacking
- Reusable



To fulfill your temporary sign skid needs, contact the Allied Tube & Conduit Traffic Products Group at 800-882-5543.

Fasteners

The Corner Bolt

Requiring only a single wrench, the corner bolt provides a tighter more stable installation by concentrating tension on only one corner of the tubing.

Drive Rivets

Drive rivets provide the convenience of a one-piece fastener with effective tamper-resistant design and fast installation requiring only a hammer.

Hex Nuts and Bolts


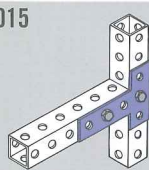
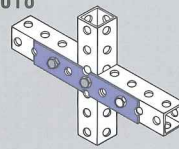

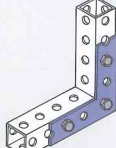
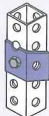

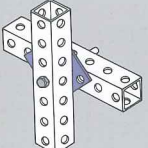
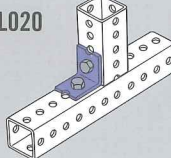
Standard hex nuts and bolts can also be used to connect components. A special jam nut is available to help form a permanent tamper resistant connection.

Lock Pins

The lock pin allows for quick temporary connection between telescoping tube sections. Simply align holes between sections, insert the lock pin and allow it to drop into a locking position.

Fittings

In addition to the above listed fasteners, the fittings in the chart below also can be used with the Telespar system.

	Fittings	Tube Size		Cutting Dimensions*	Fittings	Tube Size	Cutting Dimensions*
		1 1/2" sq. 1 3/4" sq. 2" sq. 2 1/4" sq. 2 1/2" sq.	Both tubes must be same size	1 3/16" 1 1/16" 15/16" 13/16" 11/16"		1 1/2" sq. 1 3/4" sq. 2" sq. 2 1/4" sq. 2 1/2" sq.	1 3/16" 1 1/16" 15/16" 13/16" 11/16"
		1 1/2" sq. 1 3/4" sq. 2" sq. 2 1/4" sq. 2 1/2" sq.	Both tubes must be same size	1 3/16" 1 1/16" 15/16" 13/16" 11/16"		1 1/2" sq. 1 3/4" sq. 2" sq. 2 1/4" sq. 2 1/2" sq.	
		1 1/2" sq. 1 3/4" sq. 2" sq. 2 1/4" sq. 2 1/2" sq.				1 1/2" sq. 1 3/4" sq. 2" sq. 2 1/4" sq. 2 1/2" sq.	1" 1" 1" 1" 1"

* Distance from edge of tube to center of first hole.

Safety Clamps, Inc.

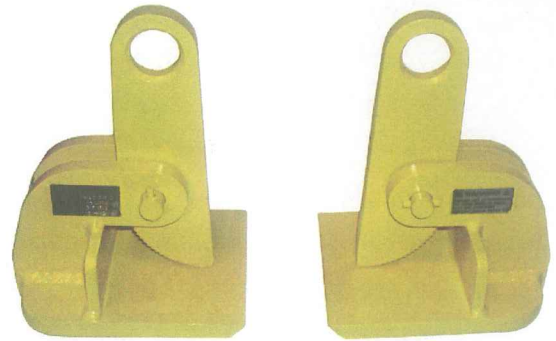
“Big Bite” Lifting Clamps Product Catalog



Proudly Made In The USA



Vertical Lifting Clamps



Horizontal Lifting Clamps



Beam Clamps



Custom Designed Clamps

Safety Clamps, Inc.

233 Santa Barbara Ave. Jacksonville, FL 32254

Toll Free 1-800-456-2809 Fax 904-786-2116

www.safetyclamps.com

E mail: info@safetyclamps.com

07/2010



Models AVL and VL

with Stainless Gripping Cam(s) and Gripping Pad

Locking Clamp

Horizontal to Vertical - 180°
1/2 through 12 Ton Rated Lift Capacities

Features:

* Stainless Gripping Cam(s) and Gripping Pad

- For handling stainless steel plate without contamination.
- Serrated for a more secure lift.
- 2 through 12 ton lift capacities incorporate dual gripping cams.
- Gripping pad is self-aligning for increased surface contact.

* Rated for 421 Brinell Surface Hardness

- Gripping cams and gripping pad are rated for material with a surface hardness up to 421 Brinell.

* Horizontal to Vertical Lift

- Capable of turning a single steel plate from horizontal to vertical to horizontal through a 180° arc.

* Locks Opened and Closed

- Locks opened to facilitate loading and unloading clamp.
- Locks closed onto material for a more secure lift.

* Remote Release Locking Mechanism

- Enables user to open the clamp from a distance when the load is at rest and secured.
- **Also available:** Remote Locking Mechanism that also allows the user to lock the clamp closed onto the material.

* Wide Jaw Openings

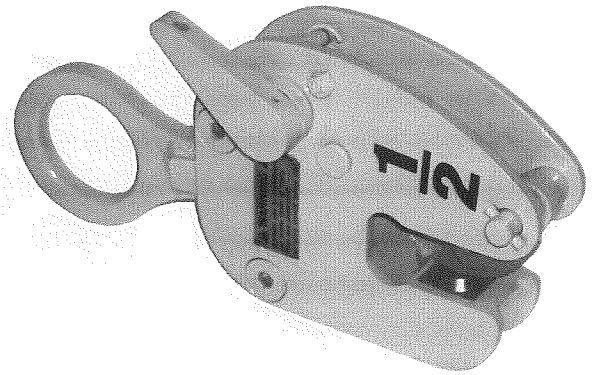
- Wider range within rated lift capacity.

* Working Parts Enclosed

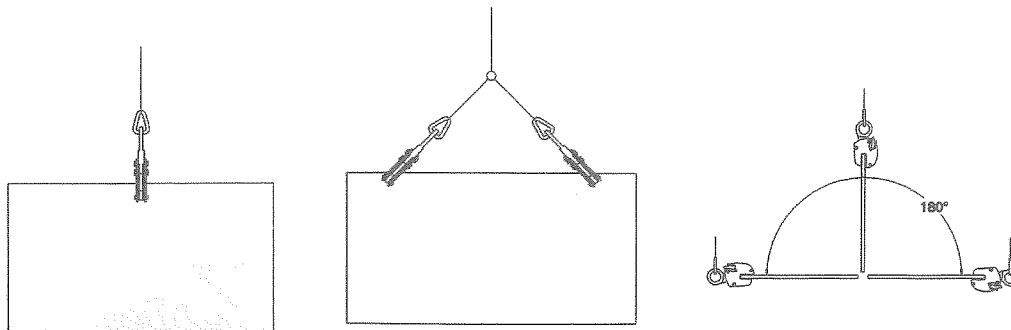
- Working parts remain inside the body in the "locked closed" position and the "locked opened" position.
- Protects parts for longer use.

* Also Available with a Universal Shackle (p. 4) and/or Auxiliary Lock (p. 6)

Note: The 1/2 ton and 1 ton Model AVL is the same as the 1/2 ton and 1 ton Model VL except for the jaw opening (A).



Model VL with Stainless Grippers





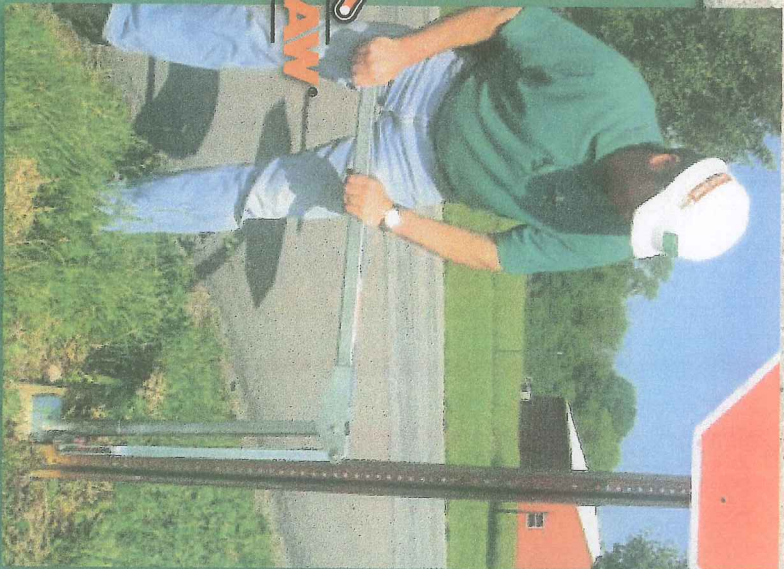
The New Force in Sign Post Pulling!



J10300 for U pickets

Pulls Sign Posts Straight Out!

- Fast, easy, safe sign post pulling
- Lightweight, powerful, all steel construction
- Grips tightly on sign post, no slipping, no back strain
- 16 to 1 mechanical advantage, 100lbs push down on handle = 1600lbs pull up on sign post
- Portable, quick one man pulling of remote (off road) signs
- JackJaw 300 pulls U pickets and T posts and grounding rods
- JackJaw 304 pulls square sign posts (2" - 2-1/4")
- JackJaw 305 pulls round sched. 40 steel posts (2-3/8" dia.)



J10304 for square posts

Increase Efficiency and Reduce Costs with JackJaw Post Extractors!

"We love it. Anybody can use the JackJaw[®] to pull sign posts. It is so easy to use! It saves us sending a piece of equipment and two men across town. With the JackJaw[®] Extractor, one man in a pickup truck can do the job!"

Bill Guhn, Street Department Foreman
City of Fremont, Fremont, Ohio



Jacklaw® 300 Sign Post Puller

"That thing (Jacklaw® 300) is fantastic! We pull U channel posts and T posts so easily."

James Farquer, Services Manager
Harmony Township, Ohio

Save man-hours and fuel, plus prevent back injuries with Jacklaw® Sign Post Pullers!

Jacklaw® Post Pullers are the new force in post pulling. The powerful, patented jaw and lever mechanism allows you to pull posts straight out of the ground or asphalt without bending the post or breaking your back. The sturdy lever arm gives you a 16 to 1 mechanical advantage. A 100lb down force on the handle generates a 1600lb upward force, and a 3200lb gripping force on the stake.

Tilted post or uneven ground? No problem! Just lean the Jacklaw® to align with the post.

To purchase a Jacklaw® Sign Post Puller call **937.429.9089**, fax **937.427.4653**, email sales@jacklaw.com or visit our website at www.jacklaw.com. Satisfaction guaranteed or your money back!

Interested dealers are invited to contact Bob Anderson at **937.609.8937** or email Bob@Jacklaw.com.



Made in the U.S.A. © 2010 Construction Accessories, Inc.
PCT Patent Application Number PCT/AU2007/001467

CONSTRUCTION
ACCESSORIES, INC.

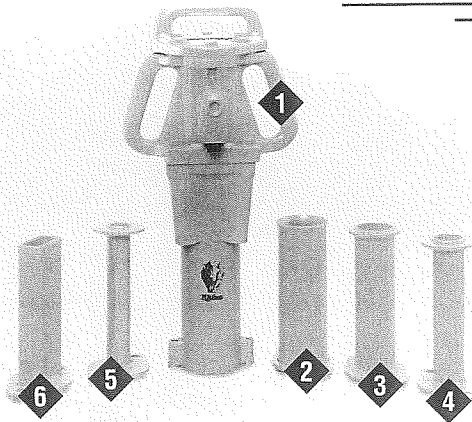
3880 Haines Road Waynesville, OH 45068-9610

Fast, Easy, Safe, One-Man Sign Post Pulling!

Rhino Air Operated Post Drivers & Accessories



PD-45 and Accessories



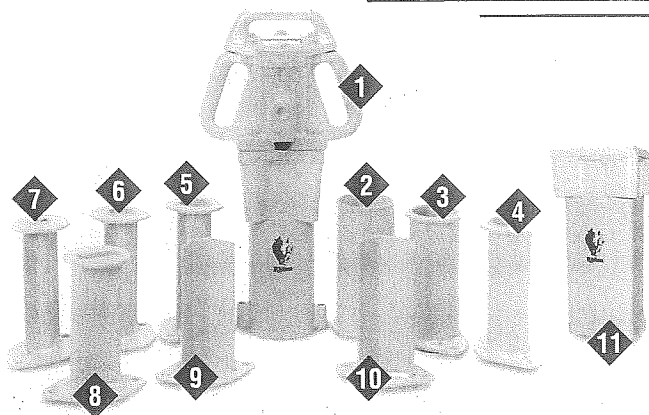
Model and/or Part No.

Specifications

(All drivers are equipped with the exclusive Rhino Alloy, Double Valve Piston.)

- | | | |
|---|-----------------|---|
| 1 | PD-45
070012 | Light Duty Post Driver with a 3" (76.2 mm) I.D. Master Chuck, uses 30 CFM (0.85 m ³ /min) @ 90 psi (6.4 kg/cm ²). Approx. Wt. 46.3 lbs (21 kg) |
| 2 | 070600 | 2 1/2" (63.5 mm) I.D. Chuck Adapter |
| 3 | 070601 | 2" (50.8 mm) I.D. Chuck Adapter |
| 4 | 070602 | 1 1/2" (38.1 mm) I.D. Chuck Adapter |
| 5 | 070603 | 1" (25.4 mm) I.D. Chuck Adapter |
| 6 | 070606 | Channel Post Chuck Adapter - 1.2 to 1.5 lbs/ft Posts |

PD-55 and Accessories



Model and/or Part No.

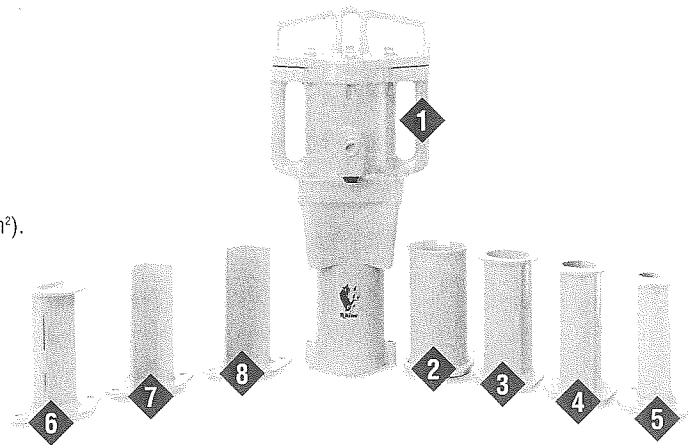
Specifications

(All drivers are equipped with the exclusive Rhino Alloy, Double Valve Piston.)

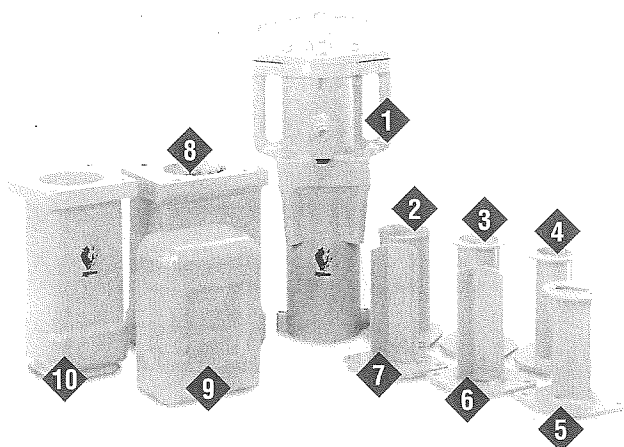
- | | | |
|----|-----------------|--|
| 1 | PD-55
070013 | Medium Duty Post Driver with a 3 7/8" (98.4 mm) I.D. Master Chuck, uses 42 CFM (1.19 m ³ /min) @ 90 psi (6.4 kg/cm ²). Approx. Wt. 54.6 lbs (24.8 kg) |
| 2 | 070609 | 3 1/2" (88.9 mm) I.D. Chuck Adapter |
| 3 | 070610 | 3" (76.2 mm) I.D. Chuck Adapter |
| 4 | 070611 | 2 1/2" (63.5 mm) I.D. Chuck Adapter |
| 5 | 070612 | 2" (50.8 mm) I.D. Chuck Adapter |
| 6 | 070613 | 1 1/2" (38.1 mm) I.D. Chuck Adapter |
| 7 | 070614 | 1" (25.4 mm) I.D. Chuck Adapter |
| 8 | 070617 | Channel Post Chuck Adapter - 1.2 to 1.5 lbs/ft Posts |
| 9 | 070618 | Channel Post Chuck Adapter - 2 to 2.75 lbs/ft Posts |
| 10 | 070619 | Channel Post Chuck Adapter - 3 to 4 lbs/ft Posts |
| 11 | 070590 | 4 1/16" (103.2 mm) Square Chuck Wood Post Assembly |
| | 070615 | PD-55 2" Heavy Chuck Adapter (not shown) |

PD-110 and Accessories

Model and/or Part No.	Specifications
1 PD-110 070014	Medium/Heavy Duty Post Driver with a 4 1/4" (107.9 mm) I.D. Master Chuck, uses 64 CFM (1.81 m ³ /min) @ 100 psi (7 kg/cm ²). Approx. Wt. 109.16 lbs (49.5 kg)
2 070622	3 5/8" (92 mm) I.D. Chuck Adapter
3 070623	3" (76.2 mm) I.D. Chuck Adapter
4 070624	2 1/2" (63.5 mm) I.D. Chuck Adapter
5 070625	2" (50.8 mm) I.D. Chuck Adapter
6 070628	Channel Post Chuck Adapter - 1.2 to 1.5 lbs/ft Posts
7 070629	Channel Post Chuck Adapter - 2 to 2.75 lbs/ft Posts
8 070630	Channel Post Chuck Adapter - 3 to 4 lbs/ft Posts



PD-140 and Accessories



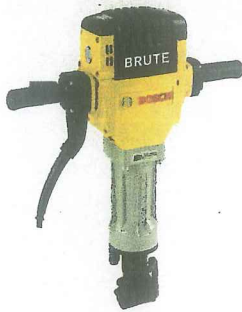
Model and/or Part No.	Specifications
1 PD-140 070015	Heavy Duty Post Driver with a 4 1/4" (107.9 mm) I.D. Master Chuck, uses 64 CFM (1.81 m ³ /min) @ 100 psi (7 kg/cm ²). Approx. Wt. 138.40 lbs (62.8 kg)
2 070634	3 5/8" (92 mm) I.D. Chuck Adapter
3 070635	3" (76.2 mm) I.D. Chuck Adapter
4 070636	2 1/2" (63.5 mm) I.D. Chuck Adapter
5 070640	Channel Post Chuck Adapter - 1.2 to 1.5 lbs/ft Posts
6 070641	Channel Post Chuck Adapter - 2 to 2.75 lbs/ft Posts
7 070642	Channel Post Chuck Adapter - 3 to 4 lbs/ft Posts
8 070061	4" x 6" (101 mm x 152 mm) H Column Chuck
9 070062-T	4" x 6" (101 mm x 152 mm) H Column Driving Cap
10 070063 070017	4" x 4" (101 mm x 101 mm) Wood Post Chuck PD-140S Heavy Duty Sheet Pile Driver includes Slotted Master Chuck (not shown)
070597	PD-140S 4-3/4" (120.6 mm) Round Master Chuck Assembly (not shown)



Masonry/Concrete Drilling Breaker Hammers



BH2760VC Brute™ Breaker Hammer



- ▶ Vibration Control—Vibration reduction in the hammer mechanism and grip area provide maximum user comfort for extended periods of work
- ▶ The Plug-In-Anywhere Hammer—Does not need a compressor
- ▶ Total Portability—Operates on 115/120V AC/DC, 15 amp. outlet or 2,500-watt portable generator

Specifications	
Rating	115/120V AC/DC
Amperage	15.0
No Load BPM	1,000
Impact Energy (ft.-lbs.)	35.0 EPTA
Length	30.5"
Weight	63.0 lbs.

Optional dust collection attachments available on pages 30 and 288.

BH2760VCB Brute™ Breaker Hammer with Basic Cart Plus Two Chisels



- Same features as BH2760VC above.
- Also includes:**
 Basic Cart **T1657**
 Narrow Chisel **HS2163**
 Moil Point Chisel **HS2161**

Same specifications as BH2760VC above.

Optional dust collection attachments available on pages 30 and 288.

BH2770VCD Brute™ Turbo Breaker Hammer with Deluxe Cart Plus Four Chisels



- Same features as BH2760VC above.
- Also includes:**
 Deluxe Cart **T1757**
 (2) Narrow Chisels **HS2163**
 (2) Star Point Chisels **HS2861**

Specifications	
Rating	115/120V AC/DC
Amperage	15.0
No Load BPM	1,000
Impact Energy (ft.-lbs.)	43.0 EPTA
Length	30.5"
Weight	63.0 lbs.

Optional dust collection attachments available on pages 30 and 288.

STANLEY

®

Hydraulic Tools

Post Driver

PD45



OPERATION AND PERFORMANCE

ITEM	U.S.A.	METRIC
Capacity	Refer to listing below	
Weight (Without Valve)	65 lb	29.5 kg
Weight (With Valve)	67 lb	30.5 kg
Length	30 in	76 cm
Width (Across Handles)	10-1/8 in	25.7 cm
Pressure	2000 psi	140 bar
Flow Range	7-9 gpm	26-34 lpm
Optimum Flow	8 gpm	30 lpm
Porting	- 8 SAE O-Ring	
Hose Whips	Yes	
Connect Size and Type	3/8 in. Pipe	

The PD45 Post Driver is the most versatile tool of its type available. The standard PD45 will drive posts of almost any configuration, including "U" channel, round or square.

Unlike other post drivers that simply rest on the top of the post, the PD45 lets the operator "index" the post in the tool. This gives improved control of the post and driver. It also reduces the damage to the top of the post.

The PD45 features dual guiding handles, a lifting eye and multiple post adapters. The optional adapters allow the PD45 to be used on smaller posts of different shapes.

The PD45 is offered in three trigger options; two have the trigger in the handle (Valve-in-Handle) and one has a remote on/off. Both trigger Valve-in-Handle models have an ON/OFF trigger adjacent to a guiding handle. The trigger extends the full length of the handle allowing the operator to activate the post driver at any position of its length. The trigger is "spring loaded" to the OFF position.

The PD45131 is controlled by a remote on/off valve that allows the operator to position the post driver and control its operation from a valve that is remote from the driver.

The PD45132G is specifically designed to meet State Department of Transportation (DOT) requirements for driving breakaway posts and delineators. It will drive posts to within 4 inches (100 mm) above ground level.

PD45 Capacities

PD45 without accessory adapters

- #2, #3 and #4 lb./ft. "U" Channel Sign Post
- #3 and #4 /Strong Back "U" Channel Sign Post
- #1 Delineator Post
- 2-1/2 in/63.5 mm Square Post
- 2-5/8 in/67 mm Round Post

PD45 with accessory adapters

- 1 3/4" T-Post
- 2" Round pipe
- 2 1/4" Square
- 1 3/4" Square
- 2" Square

STANLEY

STANLEY**Hydraulic Tools****GT18****Power Unit**

The GT18 power unit is designed for continuous duty operation of any hydraulic tool in the Type I or Type II category or wherever 8 GPM @ 2000 psi of hydraulic power is required. World class cooling puts the GT18 far ahead of all other power units on the market.

Features:

- Type I or Type II hydraulic circuit with superior cooling
- Electronically controlled engine speed - provides 5 or 8 GPM
- Auto idle feature - lower fuel consumption and less noise
- Tool circuit lockout during engine startup - safety feature
- Quartz hour meter on control panel - records engine run time
- Lift & Latch handle with fold-up side handles
- 35-AH sealed, non-spillable, no maintenance battery located in covered compartment
- Electric start engine has pressure lubrication system, low engine oil shut down & spin on oil filter
- In tank hydraulic filter with dipstick and easy access filter replacement
- GT18B05 has Powerlink Inverter system - 1000 watt continuous and 1500 watt intermittent power through GFCI receptacles

**Specifications:**

Output Capacity	5 or 8 GPM / 20 or 30 lpm
Pressure	2,000 psi / 140 bar
Circuit Type	Open Center
Hydraulic Reservoir Capacity	3 Gallons / 11 Liters
Couplers	HTMA Flush Face
Fuel Tank Capacity	7 Gallons / 26.5 Liters
Engine	B&S 18 HP Vanguard or Honda GX620 OHV
Weight	330 lbs / 150 kg
Length	35 in / 89 cm
Width	21.5 in / 54.6 cm
Height	29 in / 73.7 cm
Heat Rejection	5 hp

Stanley Hydraulic Tools
3810 SE Naef Road
Milwaukie, OR 97267

503.659.5660
Fax 503.652.1780

www.stanleyhydraulic.com

Breaker TE 1500-AVR



Applications and advantages

- Extensive demolition work at or near floor level
- Exposing reinforcement in foundations
- Breaking out openings for stairs, risers and shafts
- Powerful electropneumatic hammering mechanism and Hilti Polygon chisels for high breaking performance
- Maintenance-free, brushless SR motor and triple-chamber lubrication systems for longer service intervals and tool lifetime

Technical data

Rated input power	1800 W
Max. chiseling performance	539 in ³ /min
Rated voltage	120 V
Full hammering frequency	1620 impacts/minute
Single impact energy	22 ft-lbs
Weight according EPTA-Procedure 01/2003	31.3 lb
A-weighted emission sound pressure level ¹⁾	89 dB (A)
Dust removal module	TE DRS-B (optional)
Reduced impact energy	No
Triaxial vibration for chiseling into concrete ²⁾	12 m/s ²

¹⁾ according to EN 60745

²⁾ according to EN 60745-2-6



3

Order Designation	Package Content	Sales pack quantity	Item number
Breaker performance pkg TE 1500-AVR	1x TE 1500-AVR 120V Breaker grounded, 3x Dust shield, 1x Kit box TE 1500-AVR, 1x Pointed chisel TE-SP SM 36, 1x Narrow-flat chisel TE-SP FM 36	1 pc	3455943
Breaker dust control pkg TE 1500-AVR	1x TE 1500-AVR 120V Breaker grounded, 3x Dust shield, 1x Kit box TE 1500-AVR, 1x Pointed chisel TE-SP SM 36, 1x Narrow-flat chisel TE-SP FM 36, 1x Dust removal system TE-DRS-B	1 pc	3457406
Breaker deluxe dust control pkg TE 1500-AVR	1x TE 1500-AVR 120V Breaker grounded, 3x Dust shield, 1x Kit box TE 1500-AVR, 1x VC 40-U 120 V Univ. vacuum cleaner, 1x Pointed chisel TE-SP SM 36, 1x Narrow-flat chisel TE-SP FM 36, 1x Dust removal system TE-DRS-B	1 pc	3457407

Breaker TE 3000-AVR



Applications and advantages

- Medium- to heavy-duty demolition of concrete slabs and foundations
- Breaking up asphalt for road building, repair work and pipe laying
- Removing concrete for rebar connections and utility connections
- Delivers impressive hammering impact energy of 68 joules to big concrete demolition jobs
- Impressive breaking performance - up to 6 tons of concrete in one hour which makes TE 3000 equal to air/compressor tools.

Technical data

Max. chiseling performance	2440 in ³ /min
Full hammering frequency	860 impacts/minute
Single impact energy	50 ft-lbs
Weight according EPTA-Procedure 01/2003	65.9 lb
A-weighted emission sound pressure level ¹⁾	94 dB (A)
Dust removal module	No
Reduced impact energy	No
Triaxial vibration for chiseling into concrete ²⁾	7 m/s ²

¹⁾ according to EN 60745

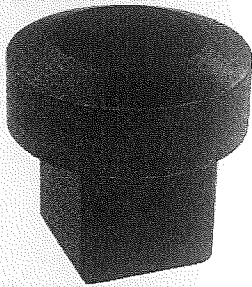
²⁾ according to EN 60745-2-6



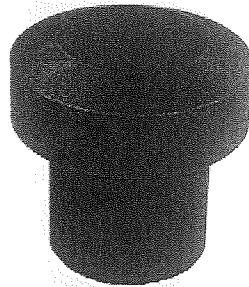
Order Designation	Package Content	Sales pack quantity	Item number
Breaker + 4 chisel pkg TE 3000-AVR	1x TE 3000-AVR 120V Breaker, 2x Pointed chisel TE-H28P SM 40, 2x Narrow flat chisel TE-H28P FM 40, 2x USA 120V Supply cord	1 pc	3495933
Breaker perf pkg TE 3000-AVR	1x TE 3000-AVR 120V Breaker, 2x Pointed chisel TE-H28P SM 40, 2x Narrow flat chisel TE-H28P FM 40, 2x USA 120V Supply cord, 1x Tool cart TE 3000	1 pc	3492616

MANUAL DRIVE CAPS

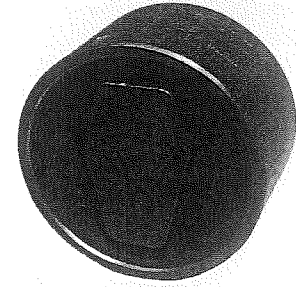
PART NUMBER	TYPE	GUIDE SIZE	FITS ANCHOR SIZE	WEIGHT EACH
DC150175M	SQ.	1-1/2"	1-3/4" x 12 ga.	4.73#
DC175200M	SQ.	1-3/4"	2" x 12 ga.	5.25#
DC200225M	SQ.	2"	2-1/4" x 12 ga.	5.85#
DC219250M	SQ.	2-3/16"	2-1/2" x 10 ga.	7.38#
DC225250M	SQ.	2-1/4"	2-1/2" x 12 ga.	7.55#
DC250300M	SQ.	2-1/2"	3" x 7 ga.	9.00#
DC231250M	RD.	2-5/16"	2-1/2" x 14 ga.	5.87#
DC262278M	RD.	2-5/8"	2-7/8" x 10 ga.	7.64#
UCDC-24M	U-CH	U-Channel	2# - 4# SECTIONS	10.25#



SQUARE



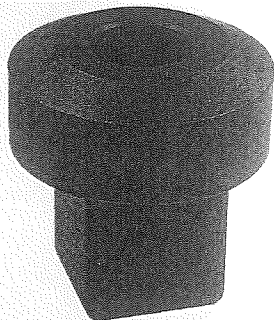
ROUND



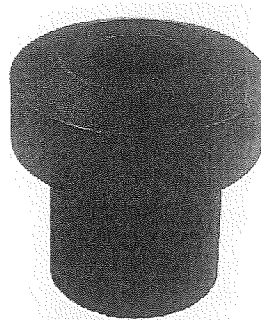
U - CHANNEL

LOCK & RELEASE POWER DRIVE CAPS

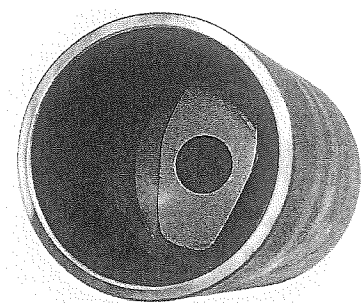
PART NUMBER	TYPE	GUIDE SIZE	FITS ANCHOR SIZE	WEIGHT EACH
DC150175LR	SQ.	1-1/2"	1-3/4" x 12 ga.	3.74#
DC175200LR	SQ.	1-3/4"	2" x 12 ga.	4.24#
DC200225LR	SQ.	2"	2-1/4" x 12 ga.	4.86#
DC219250LR	SQ.	2-3/16"	2-1/2" x 10 ga.	6.40#
DC225250LR	SQ.	2-1/4"	2-1/2" x 12 ga.	6.57#
DC250300LR	SQ.	2-1/2"	3" x 7 ga.	8.03#
DC231250LR	RD.	2-5/16"	2-1/2" x 14 ga.	4.86#
DC262278LR	RD.	2-5/8"	2-7/8" x 10 ga.	6.64#
UCDC-24LR	U-CH	U-Channel	2# - 4# SECTIONS	9.25#



SQUARE



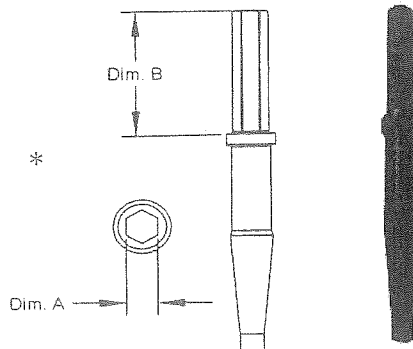
ROUND



U - CHANNEL

LOCK & RELEASE POWER DRIVE SHANKS (SHANKS FIT ALL LOCK & RELEASE DRIVE CAPS)

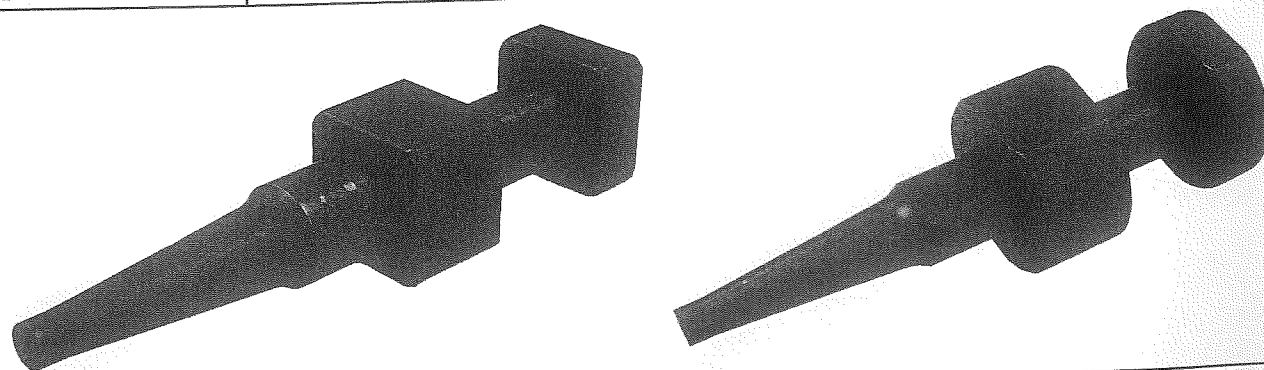
PART NUMBER	HEX SIZE *	WEIGHT EACH
DS3875LR	7/8" x 3-1/4"	2.70#
DS4875LR	7/8" x 4-1/4"	2.85#
DS4100LR	1" x 4-1/4"	3.35#
DS61125LR	1-1/8" x 6"	4.75#
DS61250LR	1-1/4" x 6"	5.60#



*Proper shank size determined from two measurements: (A) Hex diameter across two opposite flats.
(B) Hex length from locking collar to top of hex.

LOCK & RELEASE ADAPTERS (ADAPTERS FIT ALL LOCK & RELEASE DRIVE CAPS)

PART NUMBER	HAMMER	HAMMER OPENING	WEIGHT EA.
SAPD45LR**	STANLEY	2-9/16" SQ.	9.26#
SAPD48LR	STANLEY	4-1/8" RD.	14.49#
FA380LR	FAIRMONT	3.8" RD.	13.24#
FA280LR	FAIRMONT	2.8" RD.	8.75#
FA2040LR	FAIRMONT	2" x 4" RECT.	9.00#
FA2540LR	FAIRMONT	2-1/2" x 4" RECT.	9.82#
RAPD50LR	RHINO	3.57" RD.	15.19#
RAPD55LR	RHINO	3.8" RD.	15.55#
RAPD100LR	RHINO	4-1/4" RD.	16.80#



** FOR STANLEY MODELS PD45131 & PD45132, WILL NOT FIT MODEL PD45132G.



Email: Password: [Login](#)

[Become a Dealer](#) [Shopping Cart](#) [Forgot Password?](#) [Checkout](#)

[Home](#) [About](#) [Products](#) [Parts/Accessories](#) [Support](#) [Dealers/Service Center](#) [Careers](#) [News](#) [Contact Us](#)

Search Vanair

search...

- [Air Compressors](#)
- [Engine Driven](#)
- [Air N Arc® ALL-IN-ONE Power Systems®](#)
- [Genair® Air Compressor/Generator](#)
- [Generators](#)
- [Drill Compressor Modules](#)
- [High Capacity Compressor Module](#)
- [ETL-500 Electric Tool Lift](#)
- [V-TEC - Vanair Total Electronic Control](#)
- [In-tank Coalescer System](#)
- [Vanguard™ Lifetime Warranty Service Kit](#)
- [Custom Mobile Power Solutions](#)
- [Parts/Accessories](#)
- [Vanair Synthetic Oils](#)

Brochure



Warranty



[Home](#) | [Engine Driven](#) | [Viper Diesel - 60 to 80 CFM](#)

Viper Diesel - 80 CFM

Introducing the New Viper Diesel Portable Air Compressor

Vanair is once again meeting the markets demand with the introduction of the Viper Diesel 80 cfm air compressor with infinitely variable throttle control to reduce fuel consumption. Powerful enough to operate most 90 lb jack hammers, the rugged system is small enough to fit behind the cab of your vehicle or be mounted on the sidepack. Completely self-contained and easily transferable via a lifting bail, the Viper diesel provides you with the air power you need, when and where you need it without vehicle and/or engine modification. The Viper features a tier 4 certified Kubota engine and reduces your vehicle's idle time – saving fuel and extending your vehicles engine lifespan.



[See full length video here](#)

Specifications	
Capacity (CFM)	80
Air (psig)	100
Platform Dimensions (L X W X H)	47 x 24 x 38
Dry Weight (lbs.)	800
Fuel Capacity (gal.)	9.5
Engine Speed* (rpm)	3600

***Dimensions listed are not a complete representation of total space necessary. Please consult Vanair for overall space and air requirements.*

**Idle Speed: 48 CFM @ 100 psig @ 2200 RPM*

Product improvement is a continuing goal. Design and specifications are subject to change without notice or obligations.

Search Vanair

[Air Compressors](#)
[Engine Driven](#)
[Air N Arc® ALL-IN-ONE Power Systems®](#)
[Genair® Air Compressor/Generator](#)
[Generators](#)
[Drill Compressor Modules](#)
[High Capacity Compressor Module](#)
[ETL-500 Electric Tool Lift](#)
[V-TEC - Vanair Total Electronic Control](#)
[In-tank: Coalescer System](#)
[Vanguard™ Lifetime Warranty Service Kit](#)
[Custom Mobile Power Solutions](#)
[Parts/Accessories](#)
[Vanair Synthetic Oils](#)

Brochure

[Viper Gas](#)


Files for Viper Gas Bid Specifications

[Viper Gas](#)


Warranty

[Warranty](#)

[Home](#) | [Engine Driven](#) | [Viper Gas - 60 to 80 CFM](#)

Viper Gas - 60 to 80 CFM

Gas-powered Transportability

Mobile power when and where you need it, along with the flexibility of a gas-powered, rotary screw air compressor, truly gives you the "best of all worlds." The Viper offers heavy-duty power, on or off your truck bed, and the flexibility that only a transportable unit can offer. The Viper is ideal for monument engraving, irrigation service, rental markets, post pounding, directional boring, and general construction.

Compressor Dimensions with fittings (in.) -
42L x 33W x 29.5H

****Dimensions listed are not a complete representation of total space necessary. Please consult Vanair for overall space and air requirements.**

Dry Weight (lbs.) -535 lbs.

Allow for adequate air flow

Specifications

Capacity (CFM)	60	60	70	80
Air Pressure (psi)	100	150	100	100
Full Load Engine Speed (rpm)	3600	3600	3500	3575

Product improvement is a continuing goal. Design and specifications are subject to change without notice or obligations.

SPECIAL FEATURES

Compressor

- Vanguard™ Lifetime Warranty on air end
- Oil-injected Sullair® rotary screw air end
- Powder-coated, galvanized sheetmetal enclosure
- Spin-on air-oil separating element
- Lifting bail

Engine

- Make: Kohler
- Fuel type: gasoline
- Engine type: 4-cycle, V-twin, overhead valve
- Horsepower: 25 HP
- Fuel tank capacity: 5 US gal.



TIPPMANN

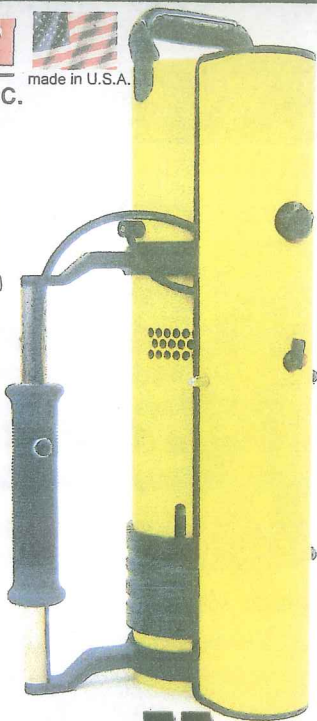


made in U.S.A.

Industrial Products, Inc.
3518 Adams Center Rd.
Fort Wayne, IN 46806



Operates off
of a standard
14 oz.
propane tank



Propane Hammer Self Contained Post Driver

Patented Technology

Propane Hammer

MADE IN U.S.A.

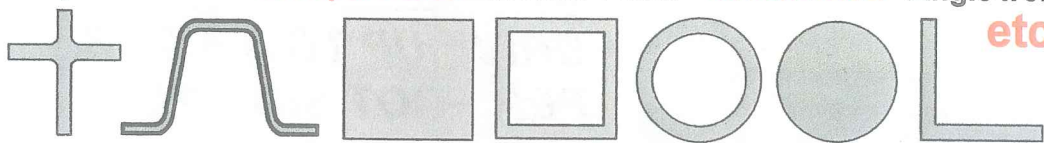
1 PERSON OPERATION!

- Drive up to a 4.5 lb. per foot sign post
- Drive up to a 3.5" diameter round post
- No air compressors, no hoses!

Weighs only 41 lbs.Simple for 1 person to operate!

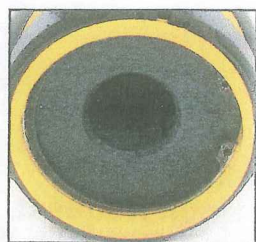
DRIVE T'Posts • Sign Posts • Square Posts • Telespar Posts • Round Posts • Ground Rod • Angle Iron etc.

700 LBS. DRIVING FORCE!



Drive up to a
4.5lb. per foot
U Channel Post

Interchangeable ram
collar system will
accommodate various
size posts, rods,
stakes, etc.



ABOUT THE PROPANE HAMMER

- The Tippmann Propane Hammer is a self contained post driver.
- The Propane Hammer is powered by a standard 14 oz. propane tank, found in most hardware departments.
- The Propane Hammer is a very convenient, user-friendly way to drive posts.
- The Propane Hammer will drive posts into hard, dry, frozen, even rocky ground. Countless applications.
- Deliver approximately 150 blows per minute at 700 lbs. driving force.

Propane Hammer Self Contained Post Driver

www.propanehammer.com / Toll Free: 866-286-8046

TIPPMANN

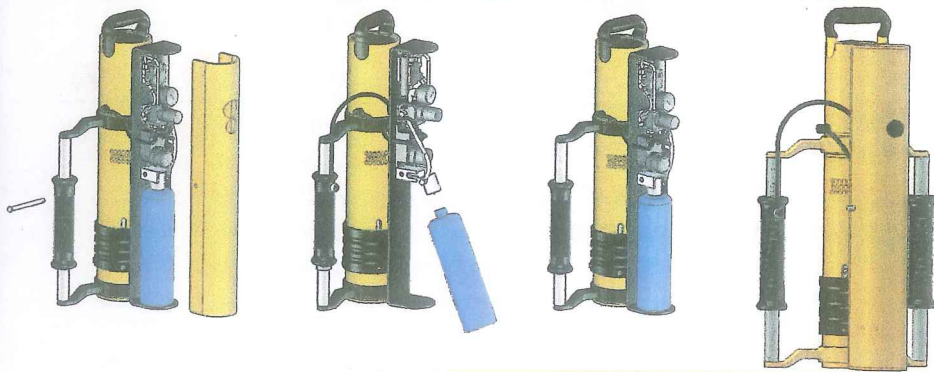


Propane Hammer

1 PERSON OPERATION!

- Drive up to a 4.5 lb. per foot sign post
- Drive up to a 3.5" diameter round post
- No air compressors, no hoses!

Simple Tank Removal and Installation



- Pull pin and remove cover
- Remove Tank
- Insert Tank
- Replace Cover

\$1995

30 DAY MONEY BACK GUARANTEE

1 YEAR FULL PARTS AND LABOR WARRANTY

Product Specifications:

specs

- Delivers Up To 150 Blows Per Minute.
- Weighs Under 42 lbs.
- 100% Self Contained
- Does Not Require An Air Compressor Or Hydraulic Unit.
- Operates Off Of A Standard 14 oz Propane Tank
- Drives with 700 lbs. Driving Force.

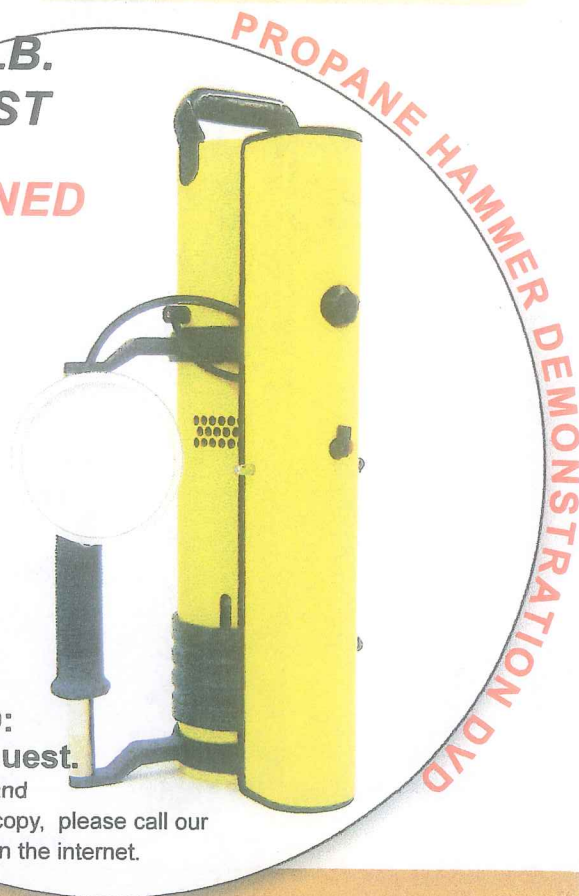
Fuel Consumption:



- Approximately 6000 Cycles Per Tank.
- ← 14.1 oz.
- Drive up to 300 Posts on 1 Tank.



- **DRIVE UP TO A 4.5 LB. PER FOOT SIGN POST**
- **100% SELF CONTAINED**
- **EASY TO USE IN ROUGH TERRAIN**
- **EASY TO USE IN REMOTE AREAS**



Dennis Tippmann

TIPPMANN



Tippmann Industrial Products, Inc.
3518 Adams Center Rd. • Fort Wayne, IN 46806

Toll Free: 866-286-8046

www.propanehammer.com

**Demonstration DVD:
Available Upon Request.**

If you did not receive a DVD and would like to request a **FREE** copy, please call our **Toll Free Number** or visit us on the internet.

Propane Hammer Self Contained Post Driver

Use in Remote Areas

- Drive up to a 4.5 lb. per foot sign post
- Drive up to a 3.5" diameter round post
- No air compressors, no hoses!

Frequently Asked Questions:

faq's

Q: How does the Propane Hammer work?

A: The Propane Hammer operates off of a standard 14 oz. propane tank and functions off of internal combustion. This unit is 100% Self Contained and does not require an air compressor or hydraulic unit.

Q: How many posts can I drive off of 1 standard propane tank?

A: This will obviously depend on the type of post, rod, stake etc. and also the type of ground or soil you are driving into.

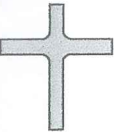
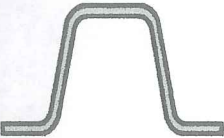
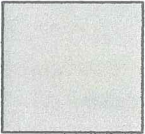
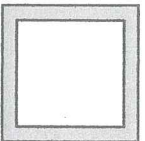
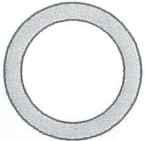
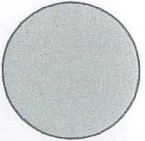
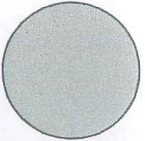
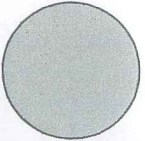
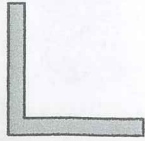
- We use the following example to best explain the capacity of 1 standard 14 oz. tank.

Ex. You can drive approximately 200 standard T-posts using a 14 oz. propane tank.
That is equal to approximately 6000 repetitions or 30 hits per post.

Q: What types of posts / stakes / rods, etc can I drive with the Tippmann Propane Hammer?

A: See the "Types of Posts" chart below.

Types of Posts: chart explains the types of posts you can drive with the Propane Hammer and if you will require an adapter.

Shape	Type of Post	Sizes	Adapter Required Y/N
	This adapter will allow you to drive any size T'Post up to 1 5/8"	• 1 5/8" or Smaller	• No
	U Channel	• 1.2 - 1.5 lb. • 2 - 2.75 lb. • 3 - 4.5 lb.	• No • Yes • Yes
	Square Posts	• 1.5" Silt Fence • 2.5" Silt Fence	• Yes • Yes
	Telespar® Posts	• Up to 2.5"	• Yes
	Pipe and Round Tubing	• Under 1 5/8" • 1 5/8" • 1 3/4" - 2 1/2" • 2 5/8" • 2 3/4" - 3 1/2"	• Recommended • Yes • Recommended • Yes • Yes
	Tent Stakes	• Up to 1"	• Yes
	Ground Rod	• Up to 1"	• Yes
	Tree Stakes	• Up to 2"	• Yes
	Angle Iron	• Up to 2.5"	• Yes

Types of Posts, Chart Explanation:

If it states no under adapter required, the Propane Hammer can drive your post, pipe, stake etc., as a stock unit. If it states yes under adapter required, it means the Propane Hammer can drive it, but you will require an adapter. If it states recommended, it means that the driver can drive the post as a stock unit, but may work better with an adapter.

Tippmann has complete in-house fabrication capabilities. If you have a need for an adapter not listed on this sheet, please let us know.

Call us today, TOLL FREE. We would be happy to answer any questions that you may have on this exciting new product.

TOLL FREE: 866-286-8046

You may also visit our website @ www.propanehammer.com

Propane Hammer
Self Contained Post Driver

TIPPMANN



made in U.S.A.

ADAPTERS

Propane Hammer

How to determine if you will need an adapter for driving your post.

What type of post are you going to drive?

The Propane Hammer is capable of driving up to a 4.5 lb. per foot Sign Post as well as other large posts, by using an adapter.

- The Stock Propane Hammer is set up to drive posts up to 1 5/8" diameter.
- You can quickly enlarge the opening to accommodate up to a 2 5/8" diameter post by removing the ram insert.

Figure A & B below, describes the opening on the bottom of the Propane Hammer.

Figure A. illustrates the Propane Hammer with the ram insert in place. This is how the machine is shipped.

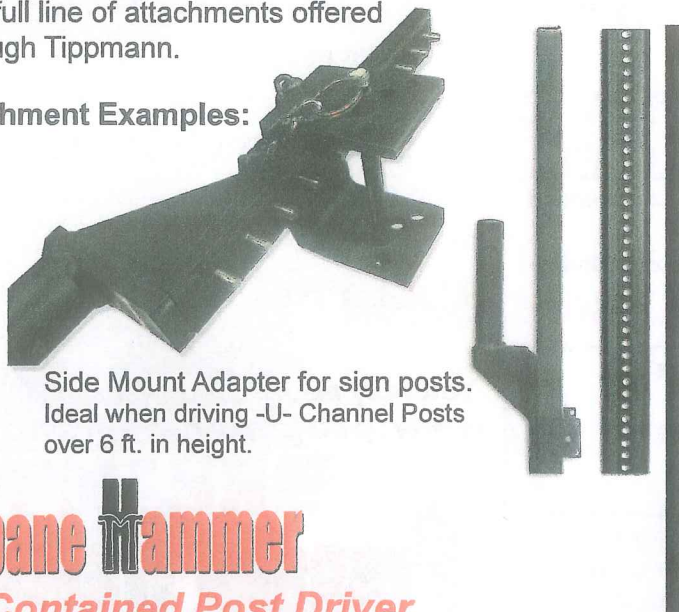
Figure B. illustrates the Propane Hammer with the ram insert removed.



If the outside diameter of your post, stake, rod etc. is larger than 2 5/8", you will need an adapter.

We offer a quick reference guide on the back of this sheet as well as in the accessories section @propanehammer.com to determine if you will need an adapter. The adapters shown, are just 3 examples in a full line of attachments offered through Tippmann.

Attachment Examples:

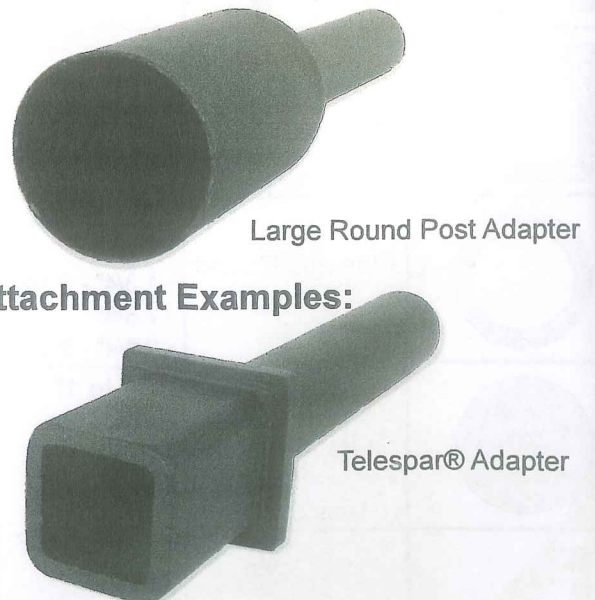


Side Mount Adapter for sign posts. Ideal when driving -U- Channel Posts over 6 ft. in height.

Demonstration DVD Available Upon Request.

If you did not receive a DVD and would like to request a **FREE** copy, please call us:
Toll Free Number 866-286-8046
or visit us on the internet www.propanehammer.com

Attachment Examples:



Propane Hammer

Self Contained Post Driver

www.propanehammer.com / Toll Free: 866-286-8046